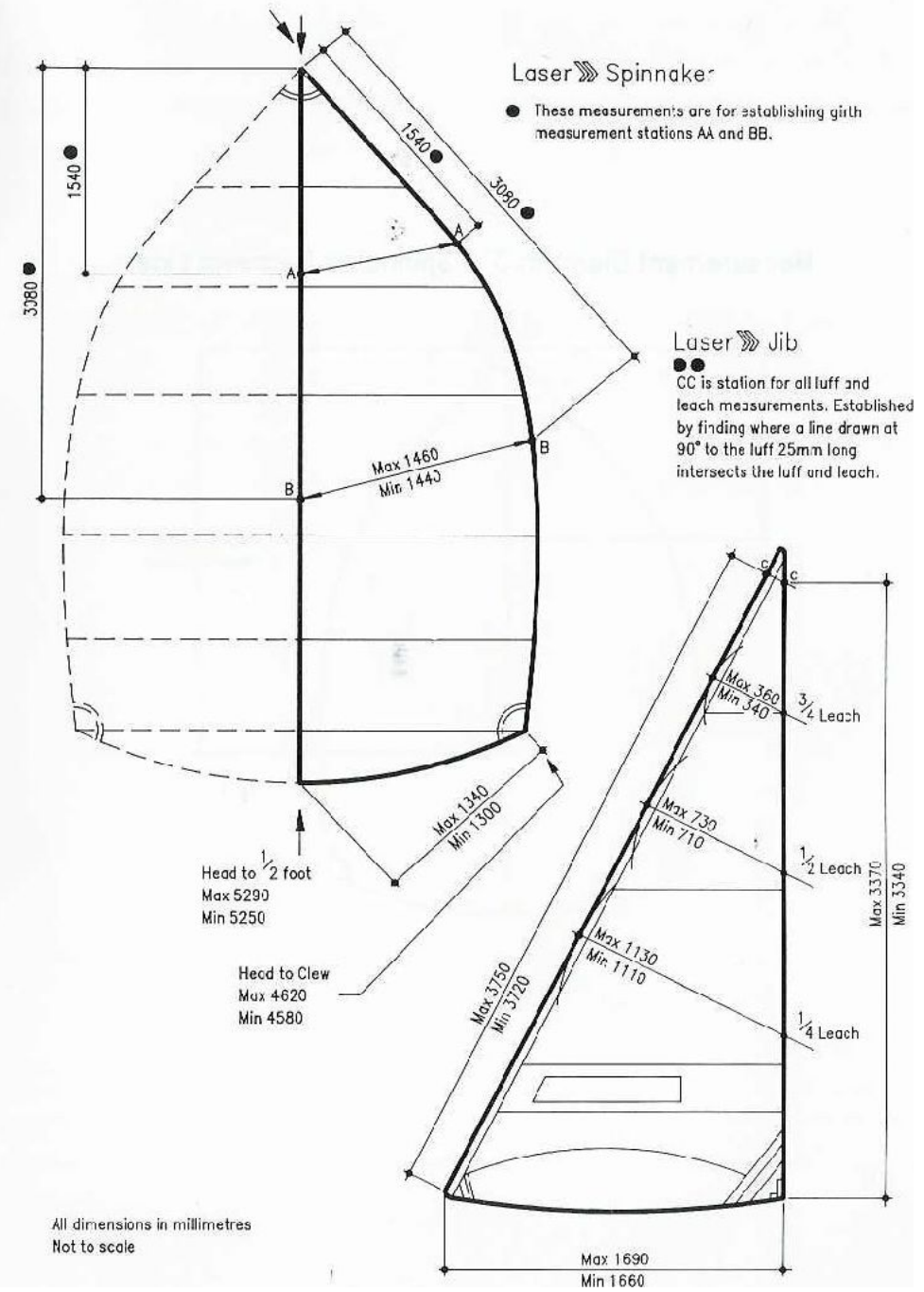
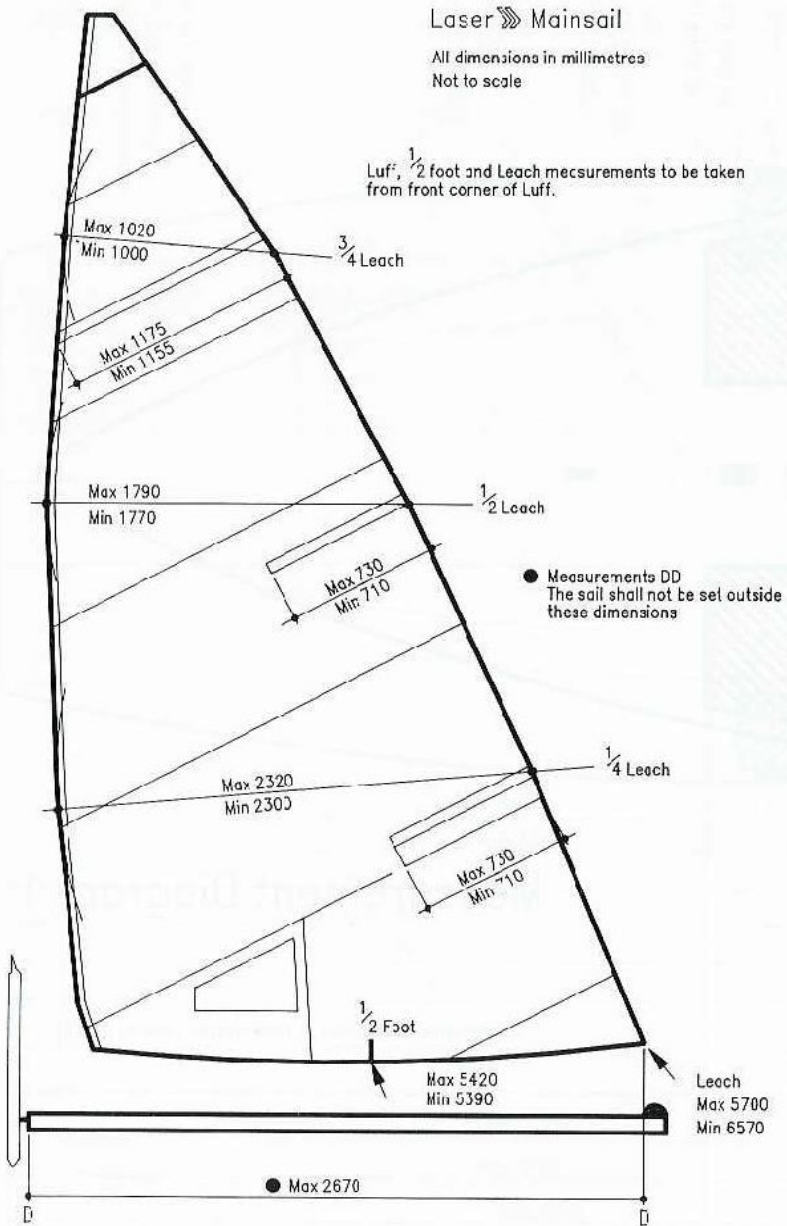


Measurement Diagram 1

All dimensions are in millimetres (not to scale)

Measurement Diagram 2



### Measurement Diagram 3 – Spinnaker Retrieval Line

